



72/40
Violet



72/40
Blue



72/40
Yellow



72/40
Orange



72/40
Red



72/40
Green

72/40 COLOUR

This 40mm padlock comes in 6 colours

Can be used for safety cut-off switches.

It has a 6 pin re-keyable cylinder in an aluminium corrosion resistance body

Can be engraved

Available with long shackle



T84COLOUR

This 40mm padlock comes in 5 colours and black. It is used for safety cut-off switches

It has a brass shackle which makes it suitable for chemical industries



T84 RANGE

Ideal outdoor padlock

Brass shackle & body, internal components made from non-corroding materials

T84C25 25mm padlock

T84C30 30mm padlock

T84C40 40mm padlock

T84C50 50mm padlock



LOCKOUTHASP25


Padlock hasp used for "lock out" safety situations


Use with 40mm padlocks' normally "KD" not "KA"



	155C20
	20mm 3 wheel Combination can be reset Traveller Combi

	155C30
	30mm 3 wheel Combination can be reset

	CR30C
	30mm 3 wheel Budget priced Combination can be reset

	165C20
	20mm 3 wheel Brass combination locks Combination can be reset

	165C30
	30mm 3 wheel Brass combination locks Combination can be reset

	165C40
	40mm 4 wheel Brass combination locks Combination can be reset

									145C20
Brown	Yellow	Green	Violet	Titanium	Silver	Red	Blue	Orange	20mm 3 wheel combination locks In 9 bright colours Perfect size for luggage

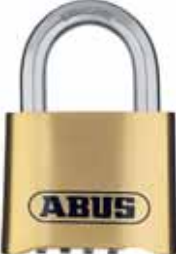
									145C30
Brown	Yellow	Green	Violet	Titanium	Silver	Red	Blue	Orange	30mm 3 wheel combination locks In 9 bright colours Ideal for lockers



	150C40
	40mm fixed combination padlock Chrome plated body and shackle

	160C40
	40mm combination lock with chrome plated body and shackle 3 wheel Combination can be reset

	160C50
	50mm combination lock with chrome plated body and shackle 4 wheel Combination can be reset

	180IBC50
	Heavy duty 50mm weather resistant lock with stainless shackle Combination can be reset Nautilus

	180IBHBC50
	Heavy duty 50mm weather resistant lock with stainless long shackle Combination can be reset Nautilus

	145 JAR
	145/20 or 145/30 Mixed colours in a retail counter jar Instructions included with each lock

	78C50
	Traditional dial combination lock Fixed combination

	158C40
	40mm heavy duty 3 wheel combination lock Hardened steel shackle Combination can be reset

	158C50
	50mm heavy duty 4 wheel combination lock Hardened steel shackle Combination can be reset

	78MK507
	Traditional dial combination lock Fixed combination With over-ride master key (sold separately) ideal for schools

	190C60
	60mm heavy duty combination lock Hardened steel shackle Combination can be reset

	190CSC60
	60mm heavy duty combination lock Close shackle Combination can be reset

Master Over-ride





Security Tech Germany

"Security calls for quality"
"ABUS The good feeling of security"

Full product range

Permanent quality control

Trusted German engineering

More than 85 years of experience in lock design

Innovation in research, development and design

65TWC20

2 x 65/20 padlocks
keyed-alike
on a blister card



65TWC30

2 x 65/30 padlocks
keyed-alike
on a blister card



65TWC40

2 x 65/40 padlocks
keyed-alike
on a blister card



65TWC50

2 x 65/50 padlocks
keyed-alike
on a blister card



V99 Stand

Excellent compact
merchandise

Product can be handled
by customers but only
removed from rear of
stand minimising
shrinkage



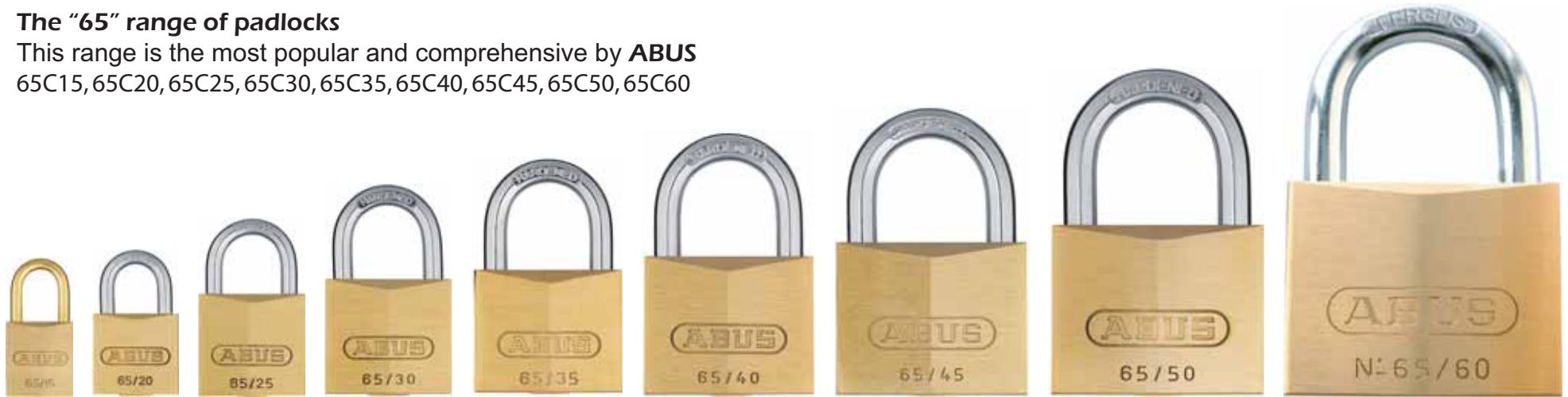
65MK40

Economically priced
master-keyed padlock
solution



The "65" range of padlocks

This range is the most popular and comprehensive by **ABUS**
 65C15, 65C20, 65C25, 65C30, 65C35, 65C40, 65C45, 65C50, 65C60



65CSC40 40mm padlock with close shackle
 65CSC50 50mm padlock with close shackle



65IBC40 40mm padlock with stainless shackle
 65IBC50 50mm padlock with stainless shackle

65C20TWIN 2 x 20mm padlocks K.A. on a display card
 65C30TWIN 2 x 30mm padlocks K.A. on a display card
 65C40TWIN 2 x 40mm padlocks K.A. on a display card
 65C50TWIN 2 x 50mm padlocks K.A. on a display card

65HBC30x60 30mm padlock with a 60mm long shackle
 65HBC40x40 40mm padlock with a 40mm long shackle
 65HBC40x63 40mm padlock with a 63mm long shackle
 65HBC50x80 50mm padlock with a 80mm long shackle



"65" Range padlocks are carded or boxed and available in a number of K.A. suites,

Silca key blanks AB51, AB52, AB53, AB54.



ABUS make their vast range quite easy to understand. Common elements are used in product numbers across the range including: KA=Keyed Alike MK=Master Keyed IB=Inox (stainless steel shackle) HB=Long Shackle RK=Re-Keyable CS=Close Shackle C=Carded /=Boxed



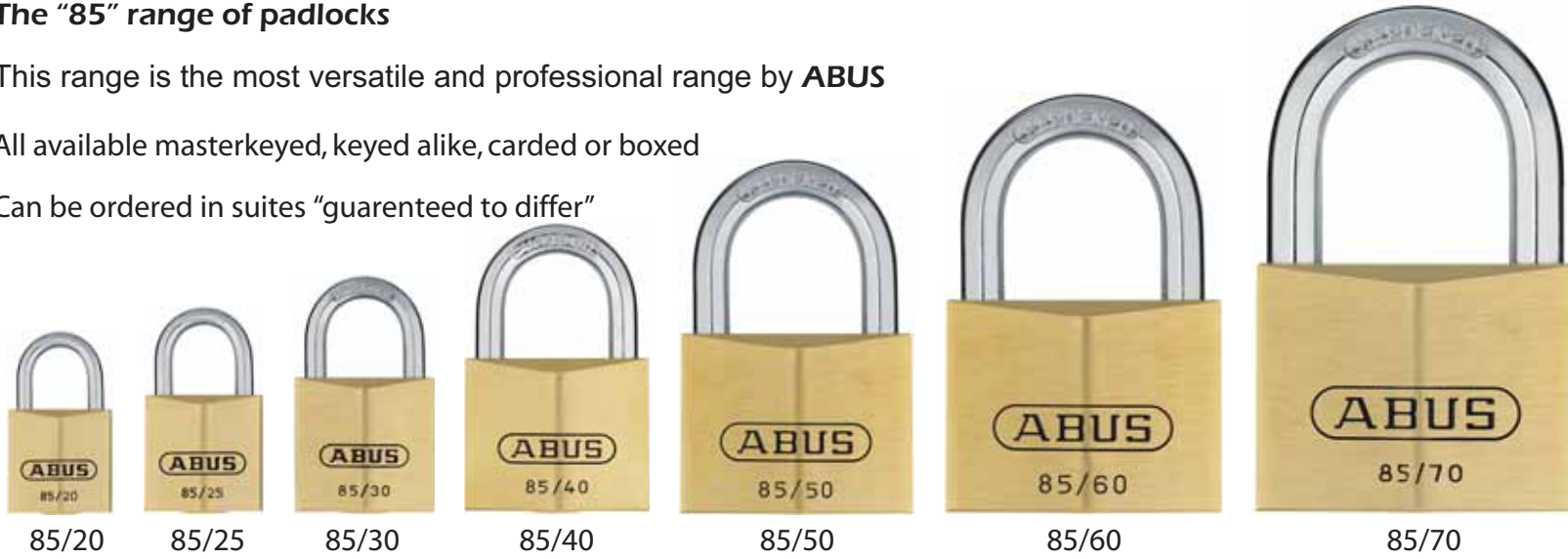



The "85" range of padlocks

This range is the most versatile and professional range by **ABUS**

All available masterkeyed, keyed alike, carded or boxed

Can be ordered in suites "guarenteed to differ"

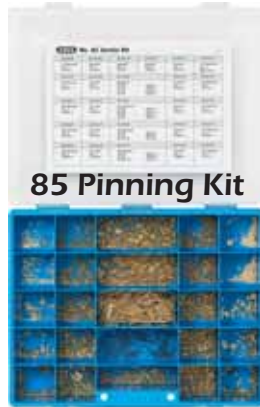




85 "0" BITTED

For flexibility please also remember the 85 range of "0" bitted padlocks

These can be keyed alike to spurious keys or to old key numbers (right hand profile only)

In 30, 40, 50 & 60mm

85 WITH CHAIN

85 range padlock fitted with chain for use in public areas and clubs to prevent padlock being stolen. Sizes 40 & 50mm



CITADEL



CITADEL

The "CITADEL" CB range of padlocks
This range represents the entry level range from ABUS

These padlocks are available in sizes 20mm, 30mm, 40mm, 50mm & 60mm



70IBC45

45mm padlock with stainless steel shackle and a plastic jacket on the body

Keyway and shackle also feature added weather protection

ABUS



55 RANGE

Economy range of brass padlocks

Silca key blanks
AB16, AB16R,
AB17 & AB17R



90C50

50mm stainless steel padlock with stainless steel shackle

Body is extended to protect shackle

Silca key blank AB1

ABUS



41 RANGE

Robust range of laminated padlocks
41C30
41C40
41C50
41HBC40x40

Silca key blanks
AB2 & AB3



V99 Stand

Excellent compact merchandiser

Product can be handled by customers but only removed from rear of stand minimising shrinkage

ABUS make their vast range quite easy to understand. Common elements are used in product numbers across the range including: KA=Keyed Alike MK=Master Keyed IB=Inox (stainless steel shackle) HB=Long Shackle RK=Re-Keyable CS=Close Shackle C=Carded /=Boxed





For use on doors and gates without rebate

Ideal for hinged van doors

Because there is a Diskus lock included it is extremely corrosion resistant

Can be purchased without lock

141C200



141C200+26/70

Universal hasp with integrated Diskus padlock



Diskus®

140C120



Heavy duty hasp with hardened steel staple
Designed for use with DISKUS locks

Diskus®



140C190

Heavy duty hasp with hardened steel staple

Designed for use with DISKUS locks

Hinged to lock on uneven surfaces



28C70

Quality lock "ABUS" manufactured
Branded Buffo & priced comparative to inferior copy-cat locks

Silca key blank AB3

ABUS

RE-KEYABLE



Diskus®



24RK70

70mm
Stainless steel body
Hardened steel shackle
Silca blank AB3

This lock is re-keyable
It can be keyed up to old K.A. numbers, or to create a more secure random K.A. suite



ABUS have over 80 years of experience in lock design and manufacture and have the most modern production facilities at 3 sites in Germany. Only high grade materials are used and this guarantees the level of quality in ABUS products.



CD70C
4 pin cylinder Diskus economy lock
Supplied carded
Silca key blank AB18



Diskus®




24IB60
60mm
Stainless steel body
Stainless steel shackle
Silca key blank AB18

Diskus®




24IB70
70mm
Stainless steel body
Stainless steel shackle
Silca key blank AB18

Diskus®



26/70
70mm
Stainless steel body
Hardened steel shackle
Drill protection
5 pin cylinder
Silca key blank AB3

Diskus®



26/80
80mm
Stainless steel body
Hardened steel shackle
Drill protection
5 pin cylinder
Silca key blank AB3

Diskus®



26/90
90mm
Stainless steel body
Hardened steel shackle
Drill protection
5 pin cylinder
Silca key blank AB3

Diskus®



20/70
70mm
Stainless steel body
Hardened steel shackle
High security profile key
Silca key blank AB38P

Diskus®



20/80
80mm
Stainless steel body
Hardened steel shackle
High security profile key
Silca key blank AB38P



DISKUS DISPLAY
Diskus display
Metal stand featuring the 4 most popular discus sizes, with hooks at rear to hold stock



Diskus® The original ABUS Diskus design restricts usual attack methods. This lock offers a security level equal to locks twice it's price.





36C55

Robust padlock with hardened steel body

RE-KEYABLE

Compatible with 27C50 below

Silca key blank AB19



37RK55

Robust padlock with hardened steel body

RE-KEYABLE

ABUS Plus key

Silca key blank AB38P



37RK60

Robust padlock with hardened steel body
Close shackle

RE-KEYABLE

ABUS Plus key

Silca key blank AB38P



27C50

Strong 50mm steel body padlock, locking with hardened steel ballbearings

RE-KEYABLE

Silca key blank AB19 or AB3



37/55

Robust padlock with hardened steel body

ABUS Plus key

Silca key blank AB38P



37/60

Robust padlock with hardened steel body
Close shackle

ABUS Plus key

Silca key blank AB38P





37/70

Robust padlock with hardened steel body

RE-KEYABLE

ABUS Plus key

Silca key blank AB38P

Use with 135/200 hasp & staple



37RK80

Robust padlock with hardened steel body

RE-KEYABLE

ABUS Plus key

Silca key blank AB38P

Use with 135/200 hasp & staple

82 RANGE

Top Quality range of shutter lock

Hardened steel pin protects the narrow side of the lock body against sawing

Keyed alike or keyed differ



82C63 Silca key blank AB3



82C70 Silca key blank AB3



82C90 Silca key blank AB1

65mm shutter lock brass with steel jacket for added protection

92C65

Keyed alike or keyed differ

Silca key blank AB1



80mm shutter lock brass with steel jacket for added protection

92C80

Keyed alike or keyed differ

Silca key blank AB1





83/60 "0"

Padlock solid brass
chrome plated
Designed to accept
Scandinavian oval
external cylinders
(not included)

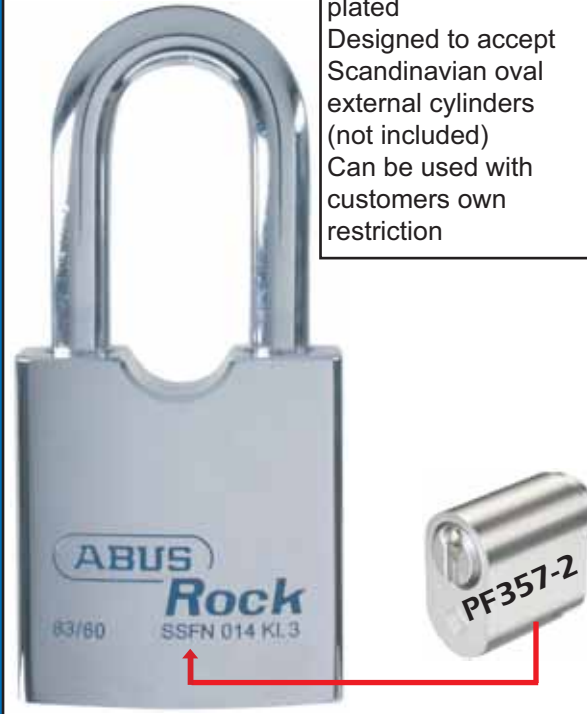
Can be used with
customers own
restriction



83HB60 "0"

Padlock solid brass
long shackle, chrome
plated
Designed to accept
Scandinavian oval
external cylinders
(not included)

Can be used with
customers own
restriction



PF357-2

Pfaffenhain
Scandinavian oval
external cylinder to suit
83 range of ABUS
padlocks

Can be supplied
restricted to customers
own restricted or
patented profile



34/55

Padlock with body and
shackle made from
hardened alloy steel

Cylinder can be
re-keyed



34CS55

Padlock close shackle
with body and shackle
made from hardened
alloy steel

Cylinder can be
re-keyed



PF352 (10 x 30)

Pfaffenhain half euro
cylinder to suit 86/55
ABUS padlocks

Can be supplied
restricted to customers
own restricted or
patented profile



83/80 "0"

Padlock solid brass
80mm chrome plated

Designed to accept
Scandinavian oval
external cylinders
(not included)

Can be used with
customers restriction



83HB80 "0"

Padlock solid brass long
shackle 80mm chrome
plated.

Designed to accept
Scandinavian oval
external cylinders
(not included)

Can be used with
customers restriction



PF310-380

Padlock brass 50mm

Can be ordered A30
K.D. as standard or
sub-assembled under
customers own
restricted or patented
profile



86/55

Padlock 55mm locking
with ball bearings
Designed to take a half
euro (10mm x 30mm)
cylinder (not included)
Can be used with
customers own
restricted or patented
profile



83/55

Padlock 55mm
re-keyable and
adaptable for key
retaining.
Body made from
hardened steel

Silca key blank AB1



83CS55

Padlock 55mm close
shackle re-keyable and
adaptable for key
retaining.
Body made from
hardened steel

Silca key blank AB1





Violet

Orange

Black

Blue

Red

Green

Yellow

83AL/45 S

Heavy duty 45mm padlock with aluminium body

7 colours in the range

Can be engraved easily

Takes "snowman" insert cylinder from Pfaenhain PF392-VHS83 allowing these padlocks to be added to restricted profiles and added to master key suites



83/55

Heavy duty 55mm padlock with hardened steel body



83CS/55

Heavy duty 55mm padlock with hardened steel body

Shackle protected against attack



83/50

50mm heavy duty combination lock

Hardened steel shackle

Combination can be reset



83/45

Brass body padlock
Ball bearing locking



83/45S

45mm padlock will take "Snowman" cylinder



PF392-VHS83




83WPIB/53 S

Padlock with stainless shackle will take "Snowman" cylinder




PF392-VHS83



200 RANGE

Light duty hasp with hardened staple
5 sizes


200C75	75mm
200C95	95mm
200C115	115mm
200C135	135mm
200C155	155mm



100 RANGE

Medium duty hasp with hardened staple
3 sizes

100C60	60mm
100C80	80mm
100C100	100mm



Diskus®

140C120

Heavy duty hasp with hardened shackle designed to be used with "DISKUS" locks



115/100

Heavy duty staples for padlocks up to 12mm

Fixing bases
45mm wide x 38mm high
Made from 5mm hardened steel



125C150

Heavy duty hasp with hardened steel staple

Suitable for security applications



130B180

Heavy duty hasp with hardened steel staple

Suitable for high security applications


Includes coach bolts and back plates



100DG RANGE

100 range hasp with an extra link for corners or uneven surfaces.
2 sizes

100DGC80
100DGC100



110 RANGE

110 range large hasp with an extra link for corners or uneven surfaces
3 sizes

110C155
110C195
110C230



135/200

For the highest security demands

Designed to compliment ABUS 37RK70 or 37RK80 padlocks



3010

This heavy duty locking bolt is designed for PVC but will suit aluminium or wooden doors.



There are shims included to off-set the receiver.

The design is ideal to be used for added security for rear patio and French doors.



7010

Rim nightlatch for PVC or wood.
Ideal for "Munster Joinery" rebated doors
Brown or white finish
Easy to fit, 60mm backset, supplied complete with cylinder and rebated receiver



Top quality narrow style rim lock for PVC windows or doors.
Strong double bolting mechanism. Supplied in brown or white with packing pieces to offset PVC door rebate

FTS88



"Combination" window or door ancillary lock for PVC. Heavy duty.

FTS106



Heavy duty window or door ancillary lock for PVC Key operated.

FTS99

With green / red flag to indicate if closed.





2160C

160° door viewer
 Chrome finish
 Supplied carded
 Suits doors
 35mm-55mm thickness



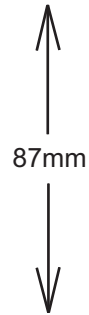
2300CG

200° wide angle door
 viewer with internal
 escutcheon to prevent
 light being seen from
 outside
 Supplied carded
 Suits doors
 35mm-55mm thickness



RS ESCUTCHEONS

Security escutcheons
 Used externally to
 protect protruding euro
 cylinders
 1 piece per card
 6mm or 9mm depth



ASSPZ

ABUS rim mounted euro
 double throw dead lock
 Galvanised, suitable for
 sheds, side gates etc.
 26mm throw
 60mm backset

4 models

RS306F2 Escutcheon 6mm satin chrome finish

RS309F2 Escutcheon 9mm satin chrome finish

RS306F3 Escutcheon 6mm satin brass finish

RS309F3 Escutcheon 9mm satin brass finish



E5N CYLINDERS

ABUS euro profile
 cylinders,
 economy price,
 key/thumbturn,
 1/2 cylinder
 key/key

Silca
 key blank AB1



E50N28/34C 28mm x 34mm Euro cylinder key / key
 E50N30/30C 30mm x 30mm Euro cylinder key / key
 E50N30/35C 30mm x 35mm Euro cylinder key / key
 E50N30/40C 30mm x 40mm Euro cylinder key / key
 E50N35/35C 35mm x 35mm Euro cylinder key / key
 E50N35/45C 35mm x 45mm Euro cylinder key / key
 E50N40/40C 40mm x 40mm Euro cylinder key / key



KE50N10/30C
 10mm x 30mm half euro cylinder





KE50N30/30C 30mm x 30mm Euro cylinder key / thumbturn
 KE50N35/35C 35mm x 35mm Euro cylinder key / thumbturn







	PF310
	Euro profile cylinders key / key in sizes 26mm x 26mm to 70mm x 70mm and all sizes in between


	PF330
	Euro profile cylinders key / thumb turn in sizes 26mm x 26mm to 70mm x 70mm and all sizes in between


	PF391-11
	Indicating euro cylinder for use on toilet doors Standard sizes are 31mm x 31mm or 35mm x 35mm

	PF352
	Half euro cylinder with indexable cam (cam can be moved to any of 8 positions) This cylinder also suits ABUS padlock "86/55" (page28)

	PF396-1031
	Half euro cylinder thumb turn operated Ideal for rear patio doors to stop cylinder being snapped


	PF392-VHS83
	"Snowman" cylinder Insert for use on ABUS 83 range padlocks


	PF317
	Oval profile cylinders key / key standard sizes are 35mm x 35mm 30mm x 30mm 40mm x 40mm

	PF337
	Oval profile cylinders key / thumb turn standard sizes are 35mm x 35mm 30mm x 30mm 40mm x 40mm

	PF357-3110
	Half oval cylinder

	PF357-1
	Scandinavian half oval cylinder interior

	PF357-2
	Scandinavian half oval cylinder exterior This cylinder also suits ABUS padlock "83" range (page28)

	PF353
	Key safe This stainless steel lockable tube is designed to be cemented into a wall.



PF310-380

50mm brass padlock

available sub assembled ready to be keyed up to customers key



PF310-380HB64

50mm brass padlock
64mm long shackle

available sub assembled ready to be keyed up to customers key



PF310-380HB80

50mm brass padlock
80mm long shackle

available sub assembled ready to be keyed up to customers key



PF310-380SALT

50mm brass padlock
salt water resistant

available sub assembled ready to be keyed up to customers key



PF310-356

Standard rim cylinder to suit 32mm hole supplied with solid brass rose



PF310-3560425

Threaded cylinder
supplied 1 per box (not pairs)
Several lengths available



PF3560224

Heavy duty cam lock

Suitable for use on Securikey key cabinets



PF357-3110

Half oval cylinder

PFAFFENHAIN PRO-SNAP

This range of cylinders has been developed to combat the real problem of cylinder snapping

The cylinders are pre disposed to snapping 10mm from the outside edge of the euro cylinder leaving the cam protected

This feature is available on any size of cylinder from 26mm x 26mm upwards



PRO-SNAP

