



LOWE & FLETCHER
Always Innovative
Always Excellence



Lowe and Fletcher are one of the worlds largest lock manufacturers and lock suppliers

They specialise in the design and manufacture of a wide range of locking systems for industry

L&F are part of an international group, supplying more than 50 million products each year

Established in 1889 it is still a privately owned and controlled group, which gives a strong family ethos and a long term commitment to their business and customers.

L&F manufacture and supply globally as a member of the Lowe & Fletcher and Euro-Locks group



Lowe & Fletcher are suppliers of a vast range of specialised locking systems, that are purpose designed to meet the many different needs of customers: alarms; bicycles; cash tills; computers; control panels; data cabinets; dustbins; fuel pumps; gaming consoles; garage doors; gun cabinets; letter boxes; lockers; office furniture; panniers; power supplies; safes; street furniture; top boxes; tow hitches; vending machines; water taps; wheel clamps; and many more



LF0201512
 8 mm
 Cam lock
 Round face
 Nut fix
 801-1000 series
 Silca key blank
 LF30R



LF0207512
 8 mm
 Cam lock
 Square face
 Nut fix
 801-1000 series
 Silca key blank
 LF30R



LF1320
 9.5 mm
 Cam lock
 Conical face
 Horse shoe clip fix
 92 series
 Silca key blank
 LF4
 "Cash box cut-out"



LF1461512
 11 mm
 Cam lock
 Round face
 Nut fix
 95/96 series
 Silca key blank
 LF2



LF1361512A
 11 mm
 Cam lock
 Round face
 Nut fix
 92 series
 Silca key blank
 LF4



LF5101
 13 mm
 Cam lock
 Conical face
 Nut fix
 75 series
 Silca key blank
 LF42R
 Cam circlip retained
 Narrow 14.8mm fixing hole



LF5102
 13 mm
 Cam lock
 Conical face
 Nut fix
 75 series
 Silca key blank
 LF42R
 Cam nut retained
 Narrow 14.8mm fixing hole



LF1432
 16 mm
 Cam lock
 Round face
 Nut fix
 95/96 series
 Silca key blank
 LF2



LF1434
 16 mm
 Cam lock
 Square face
 Nut fix
 95/96 series
 Silca key blank
 LF2



Cam locks are generally supplied with straight cams. Bent or cranked cams are available as spare parts. Cam locks complete with bent cams can be ordered as a special order from our sales department but with a 4 - 8 week delivery.

	LF1336512
	20 mm Cam lock Round face Nut fix 92 series Silca key blank LF4

	LF1339512
	20 mm Cam lock Square face Snap-in fix 92 series Silca key blank LF4

	LF1438
	20 mm Cam lock Conical face Snap-in fix 95/96 series Silca key blank LF2

	LF1439
	20 mm Cam lock Square face Snap-in fix 95/96 series Silca key blank LF2

	LF1443512A
	20 mm Cam lock Round face Horseshoe fix 95/96 series Silca key blank LF2

	LF1445
	20 mm Cam lock Square face Nut fix 95/96 series Silca key blank LF2

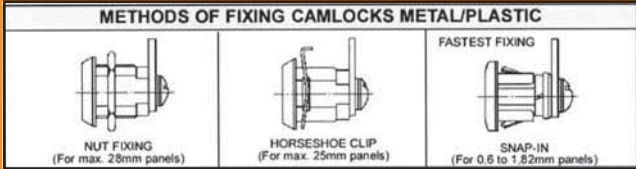
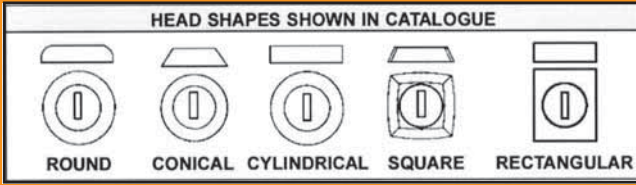
	LF1436012
	20 mm Cam lock Round face Nut fix 95/96 series Silca key blank LF2 NON MK NON DNOC

	LF1436512
	20 mm Cam lock Round face Nut fix 95/96 series Silca key blank LF2 "Popular Model"

	LFF201
	20 mm Cam lock Square face Horseshoe fix 9000 series Silca key blank LF23R For use on "Alubox post box"

Cam locks are generally supplied D.N.O.C. which stands for Differ Number On Cap. This is where the key code is stamped on the face cap of the lock. Also the majority of our stock is supplied under a master key, MK for short. LF1436012 is an exception where it is supplied non MK & non DNOC, as a result it is used for more secure applications





LF4201
 20 mm
 Cam lock
 Square face
 Nut fix
 25/27 series
 Silca key blank
 EU5R

LF0801
 20 mm
 Cam lock
 Square face
 Nut fix
 45/47 series
 Silca key blank
 EU1R

LF2105
 20 mm
 Cam lock
 Conical face
 Nut fix
 66/68 series
 Silca key blank
 LF19
 Cam nut retained

LF2131
 20 mm
 Cam lock
 Conical face
 Nut fix
 81/83 series
 Silca key blank
 LF19
 Cam nut retained


LF2139
 20 mm
 Cam lock
 Conical face
 Nut fix
 85/87 series
 Silca key blank
 LF19
 Cam nut retained

LF1440
 22 mm
 Cam lock
 Round face
 Nut fix
 95/96 series
 Silca key blank
 LF2

LF1441
 27 mm
 Cam lock
 Round face
 Nut fix
 95/96 series
 Silca key blank
 LF2

LF1342
 32 mm
 Cam lock
 Round face
 Nut fix
 92 series
 Silca key blank
 LF4



When talking about movements in cam locks the clock is used, eg. 12 o'clock to 3 o'clock is a 90° turn clockwise. Most locks in our store use this movement. If however you need the locking cam to travel 180°, remove the cam & core and a small component will fall out, with this removed the lock will now turn 180°. We call this piece the "toenail". 



LF8980203
Spare nuts for standard cam locks



LFCAMS(RPT)
Spare cams for R.P.T.(Radial Pin Tumbler) cam locks with oval cut out.

Available in various lengths



LF4902
12 mm
Cam lock
Radial pin tumbler
Conical face
Nut fix
37 series
Silca key blank
CH9T



LF4303
18 mm
Cam lock
Radial pin tumbler
Conical face
Nut fix
28 series
Silca key blank
CH9T



LF4322
21.2 mm
Cam lock
Radial pin tumbler
Flat cylindrical face
Nut fix
28 series
Silca key blank
CH9T



LF4304
22.7 mm
Cam lock
Radial pin tumbler
Conical face
Nut fix
31 series
Silca key blank
CH9T



LF4314
30 mm
Cam lock
Radial pin tumbler
Conical face
Nut fix
28 series
Silca key blank
CH9T



LF4801
22.2 mm
Cam lock heavy duty
Radial pin tumbler
Conical face
Nut fix
28 series
Silca key blank
CH9T



LF4302
18 mm
Push lock
Radial pin tumbler
For vending machines & trailers
31 series
Silca key blank
CH9T

RPT Radial Pin Tumbler locks are "Non Master Keyed" as standard as these are typically used for higher security applications. When ordering Lowe & Fletcher locks please stipulate whether you require roses or receivers as these are sold separately. The majority of L&F product is supplied masterkeyed as standard, however most products are also available keyed alike (K.A.) ex-stock if required.





LF5656
 Pedestal lock
 Fixed (peg leg) actuator
 for anti-tilt mechanism
 35 series
 Silca key blank
 LF45R



LF5817
 Pedestal lock
 Horizontal operation
 32mm actuator
 Large diameter
 19mm fixing hole
 18 series
 Silca key blank
 LF45R



LF5851
 Pedestal lock
 Horizontal operation
 45mm actuator
 16.5mm fixing hole
 Single flange (1 ear)
 18 series
 Silca key blank
 LF45R



LF 5840 532X32
 Pedestal lock
 Vertical operation
 32mm actuator=
 (X dimension)
VERTICAL
 16.5mm fixing hole
 18 series
 Silca key blank
 LF45R



LF 5840532
 Pedestal lock
 Vertical operation
 45mm actuator=
 (X dimension)
VERTICAL
 16.5mm fixing hole
 18 series
 Silca key blank
 LF45R



LF5659
 Pedestal lock
 Fixed (peg leg) actuator
 16.5mm fixing hole
 Single flange (1 ear)
 35 series
 Silca key blank
 LF45R




LF 5841 532X32
 Pedestal lock
 Horizontal operation
 32mm actuator=
 (X dimension)
HORIZONTAL
 16.5mm fixing hole
 18 series
 Silca key blank
 LF45R




LF 5841532
 Pedestal lock
 Horizontal operation
 45mm actuator=
 (X dimension)
HORIZONTAL
 16.5mm fixing hole
 18 series
 Silca key blank
 LF45R



LF5611
 Tambour lock
 Horizontal operation
 16.5mm fixing hole
 35 series
 Silca key blank
 LF45R

LF65047
 Genuine L&F keyblank
 A series suitable for wet areas



LF9300002
 Genuine L&F keyblank
 95/96 series



LF 5804
 Pedestal lock
 13mm fixing hole
 Horseshoe clip fixing
 18 series
 Silca key blank
 LF45R



RONSQPED
 Pedestal lock
 13mm fixing hole
 Horseshoe fixing
 FM series (MK)
 Silca key blank
 LS14


RONIS



LFB565
 Pedestal lock
 Roller actuator
 Nut fixing
 25/27 series
 Silca key blank
 EU5R




LFB568
 Pedestal lock
 Fixed actuator
 Snap in fixing
 92 series
 Silca key blank
 LF4



LF1346532
 Filing cabinet lock
 Roller actuator
 Snap in fixing
 92 series
 Silca key blank
 LF4

180°
 3
 90°



LF1346542
 Filing cabinet lock
 Roller actuator
 Snap in fixing
 92 series
 Silca key blank
 LF4

180°
 4
 90°



RONSPRINGFIX
 Pedestal lock
 Female twin barb
 actuator
 Snap in fixing
 KT Series
 Silca key blanks
 LS11 & LS11R

RONIS




MERONI 2134
 Pedestal lock
 Pin tumbler mechanism
 Silca key blank
 MER2



RON1EARPED
 Pedestal lock
 16.5mm fixing hole
 Single flange (1 ear)

FM series(MK)
 Silca key blank
 LS14

RONIS



Most L&F product stocked by us is masterkeyed (M.K.). Non masterkeyed is generally used for more secure applications such as roller shutters. To distinguish between both types look into the keyway and if there is a step in any of the wafers in the lock it is masterkeyed.





	LF5873
	Round cupboard lock 16.3mm fixing hole 14mm bolt throw 19mm turret 18 series Silca key blank LF45R


	LF5870
	Round cupboard lock 16.3mm fixing hole 7mm bolt throw 25mm turret 18 series Silca key blank LF45R

	LF5875
	Round cupboard lock 16.3mm fixing hole 14mm bolt throw 25mm turret 18 series Silca key blank LF45R

	LF5865
	Square cupboard lock 16.3mm fixing hole 9mm bolt throw 19mm turret 18 series Silca key blank LF45R

	LF5864
	Square cupboard lock 16.3mm fixing hole 9mm bolt throw 25mm turret 18 series Silca key blank LF45R

	LF5956
	Square cupboard lock 18.7mm fixing hole 9mm bolt throw 22mm off-set turret 18 series Silca key blank LF45R

	5883
	Square cupboard lock Slam shut 16.3mm fixing hole 9mm bolt throw 19mm turret 18 series Silca key blank LF45R

	LF5862
	Push lock for sliding doors 19mm bore 18 series Silca key blank LF45R

	LF5860
	Push lock for sliding doors 22mm bore 18 series Silca key blank LF45R

	LF5880
	Triangular cupboard lock 22mm fixing hole 9mm bolt throw 22mm turret 18 series Silca key blank LF45R

	LF5886
	Push lock for sliding glass doors 18 series Silca key blank LF45R

	LF0269
	Cam lock for hinged glass doors 801 - 1000 series Silca key blank LF30R



LF3770

Electronic latch lock with mechanical key override



LFA099

Code changeable combination camlock with master key override



LFBINLOCK

Gravity operated bin lock

Designed to stop unauthorised people using a bin

For reducing waste charges and protecting confidential waste

Operates in a way that when inverted lock will release allowing waste to be collected



LF2782

combination camlock with master key override



LF3750

Electronic combination camlock



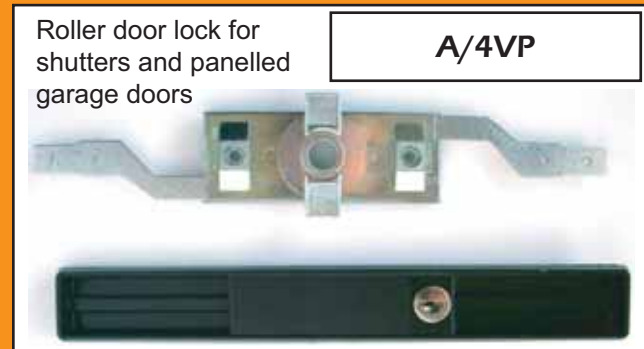
LF22015100

Flat steel locker lock
6.7mm turret
ZA series
RST key blank
84



LF2207

Flat steel locker lock
17mm turret
ZG series
RST key blank
101



Roller door lock for shutters and panelled garage doors

A/4VP



LF2210

Flat steel locker lock
23.3mm turret
ZL series
RST key blank
82



LF2211

Flat steel locker lock
29.6mm turret
ZL series
RST key blank
82



LF2216

6 lever pin cabinet lock
6.7mm turret

Used in socket safes

RST keyblank 78X8





	LF0011
	16.1mm body Cam lock I.P. rated Nut fix 5mm double barb key Key sold separately

	LF0012
	16.1mm body Cam lock I.P. rated Nut fix 7mm square key Key sold separately


	LF0013
	16.1mm body Cam lock I.P. rated Nut fix 8mm triangular key Key sold separately

	LF0018
	18.1mm plastic body Cam lock Nut fix 8mm triangular key Key sold separately

	LF0025
	16.1mm body Locking "T" handle Nut fix 92 series Silca key blank LF4

	LF2603
	20mm body Locking "T" handle Nut fix 800 series

	LFF48
	11mm body Cam lock Nut fix 8mm triangular key Key sold separately

	LFB51
	16.1mm body Cam lock Nut fix Nut retained cam 8mm triangular key Key sold separately

	LFB576
	20mm body Cam lock Spring loaded hooked cam Nut fix 8mm triangular key Key sold separately

	LF80054
	Budget lock key 8mm triangle For spanner locks with triangular insert

	LF80115
	Budget lock key long 8mm triangle For spanner locks with triangular insert

	LF9304671
	Budget lock key long 8mm square For spanner locks with square insert



LF1605
 Black knob lock for metal cabinets with 3 point locking
 Please specify cam components required when ordering
 92 series
 Silca key blank LF4



LF1601512
 "T" handle lock for metal cabinets with 3 point locking
 Please specify cam components required when ordering
 92 series
 Silca key blank LF4



LF1601TH
 "T" handle lock for metal cabinets with locking spindle
 Please specify cam components required when ordering
 92 series
 Silca key blank LF4



LF4421
 Latch lock (butterfly)
 Padlock locking cam lock 20mm
 Locks with a padlock that has a shackle diameter of 5-7mm, generally a 30mm body



LF4441
 Latch lock (heavy duty)
 Padlock locking cam lock 20mm
 Locks with a padlock that has a shackle diameter of 5-7mm, generally a 30mm body



RONLATCH
 Latch lock economy
 20mm
 Nut fix



LF4417
 Latch lock
 Padlock locking cam lock 20mm
 Nut fixing
 Complete with locking tab



LF4418
 Latch lock
 Padlock locking cam lock 25mm
 Nut fixing
 Complete with locking tab



LF4419
 Latch lock
 Padlock locking cam lock 30mm
 Nut fixing
 Complete with locking tab
 This size suitable for wooden lockers



LF9304672
 Budget lock key long
 3mm twin barb
 For spanner locks with 3mm twin barb insert

3mm



LF9304670
 Budget lock key long
 5mm twin barb
 For spanner locks with 5mm twin barb insert

5mm



LF7005201
 Use spiked washer when fitting any cam or latch lock to wood

